



*MODEL A-XAD-4-45-GL
ADJUSTABLE LOUVER
DRAINABLE BLADE. AMCA LICENSED.*

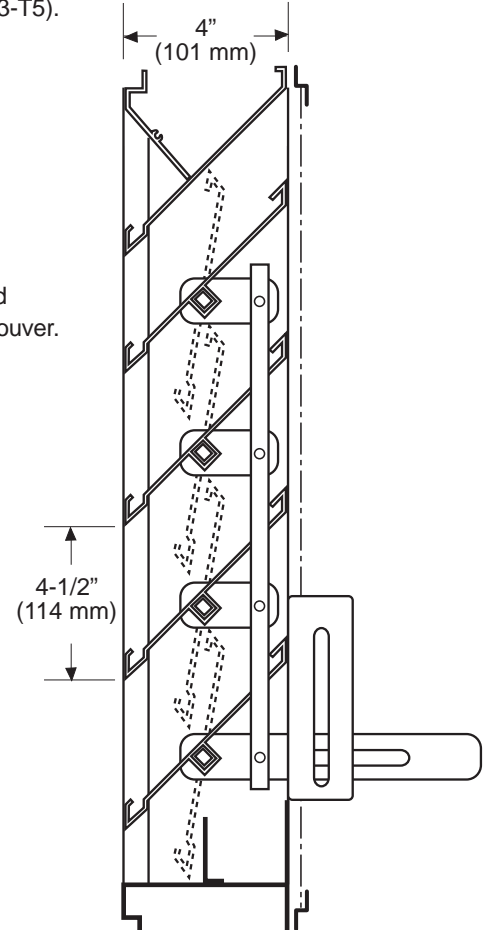


Standard Construction:

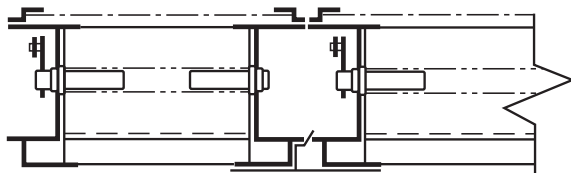
- Frame:** 4" x .081 (101 mm x 2.1 mm) extruded aluminum (6063-T5).
- Blades:** .080 extruded aluminum (6063-T5).
Approximately 4-1/2" (114 mm) on center.
- Blade Angle:** 45°
- Bearings:** Permanently lubricated oilite bronze,
press fit into frame.
- Axles:** 3/8" (9.5 mm) sq. plated steel.
- Linkage:** Plated steel concealed in jamb.
- Operator:** Wing nut slide bracket.
- Screen:** Bird screen - 3/4" x .050 (19 mm x 12.7 mm) flattened
expanded aluminum in removable frame on interior of louver.
- Finish:** Mill Aluminum
- Minimum Section Size:** 12"w x 12"h (25.4 mm x 25.4 mm)
- Maximum Section Size:** 48" x 72" (1219 mm x 1829 mm) with jamb seals
60" x 96" (1524 mm x 2438 mm) without jamb seals

Options:

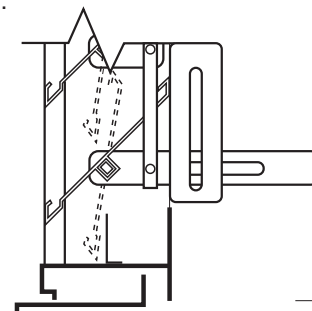
- Screens:** Insect screen - 18 x 16 mesh aluminum.
Other: _____
- Blade Seals:** Extruded vinyl
- Jamb Seals:** Flexible Stainless steel
- Finish:** Prime Coat.
Baked Enamel.
Clear Anodize - 204-R1 & 215-R1.
Integral Color Anodize.
Kynar 500 Enamel.
Other: _____
- Sill Extensions:**
- Flange:** 1-1/2" (38 mm) (front or rear)
- Other Operator** - _____
- Notes:** Louvers fabricated 1/4" (6.4 mm) under
opening size unless otherwise noted.



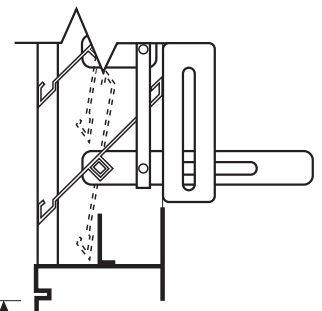
CHANNEL FRAME



VISIBLE MULLION



SILL EXTENSION



1-1/2" (38 mm)
FLANGE FRAME

Specifications are correct at time of printing. However, as part of our 'continuous improvement program,' we reserve the right to make further improvements without notice.

© AUGUST, 2001 NCA Manufacturing

Project:

Contractor:

Location:

Address:

Architect:

P.O. Number:

Engineer:

Date:

A-XAD-4-45-GL - 02-05



*MODEL A-XAD-4-45-GL
ADJUSTABLE LOUVER
DRAINABLE BLADE. AMCA LICENSED.*

PERFORMANCE DATA

© AUGUST, 2001 NCA Manufacturing

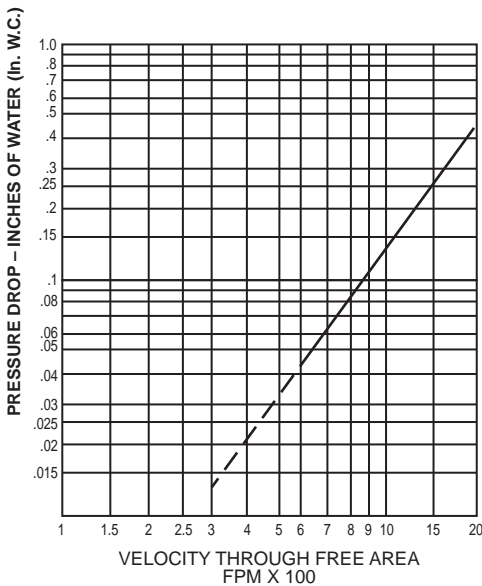
Specifications

Furnish and install where shown model **A-XAD-4-45-GL** louver, manufactured by **NCA Manufacturing**. Louvers shall be the **adjustable drainable** type with a frame depth of **4 inches**. Frames and blades shall be .081 inches thick 6063-T5 extruded aluminum alloy. Blades shall be located on a **45 degree** blade angle. Screens shall consist of 3/4" expanded aluminum, with an extruded frame, mounted to the louver interior, and be removable for cleaning. Louvers shall be finished with Polyurethane Acrylic enamel, Kynar 500, Anodize or other finishes selected by the architect from NCA standard color charts.

A-XAD-4-45-GL Free Area in Sq. Ft.

		Width – Inches														
		12	18	24	30	36	42	48	54	60	66	72	78	84	90	96
Height – Inches	12	0.15	0.26	0.36	0.46	0.56	0.67	0.77	0.87	0.98	1.08	1.18	1.28	1.39	1.49	1.59
	18	0.39	0.65	0.91	1.18	1.44	1.70	1.96	2.22	2.48	2.74	3.01	3.27	3.53	3.79	4.05
	24	0.63	1.05	1.47	1.89	2.31	2.73	3.15	3.57	3.99	4.41	4.83	5.25	5.67	6.09	6.51
	30	0.73	1.22	1.70	2.19	2.68	3.16	3.65	4.14	4.62	5.11	5.60	6.08	6.57	7.06	7.54
	36	0.97	1.61	2.25	2.90	3.54	4.19	4.83	5.47	6.12	6.76	7.41	8.05	8.69	9.34	9.98
	42	1.20	2.01	2.81	3.61	4.41	5.22	6.02	6.82	7.63	8.43	9.23	10.03	10.84	11.64	12.44
	48	1.30	2.17	3.04	3.91	4.78	5.65	6.53	7.39	8.26	9.13	10.00	10.87	11.74	12.61	13.47
	54	1.54	2.57	3.60	4.63	5.65	6.68	7.71	8.74	9.77	10.79	11.82	12.85	13.88	14.91	15.93
	60	1.78	2.97	4.15	5.34	6.53	7.71	8.90	10.09	11.27	12.46	13.65	14.83	16.02	17.21	18.39
	66	1.88	3.13	4.39	5.64	6.89	8.15	9.40	10.65	11.91	13.16	14.41	15.67	16.92	18.17	19.43
	72	2.12	3.53	4.94	6.35	7.76	9.17	10.58	11.99	13.40	14.81	16.22	17.63	19.04	20.45	21.87
	78	2.35	3.92	5.49	7.06	8.63	10.20	11.77	13.34	14.91	16.48	18.05	19.62	21.19	22.76	24.32
	84	2.45	4.09	5.73	7.36	9.00	10.63	12.27	13.91	15.54	17.18	18.81	20.45	22.09	23.72	25.36
90	2.69	4.49	6.28	8.08	9.87	11.67	13.46	15.25	17.05	18.84	20.64	22.43	24.23	26.02	27.82	
96	2.93	4.88	6.84	8.79	10.74	12.70	14.65	16.60	18.56	20.51	22.46	24.42	26.37	28.32	30.28	

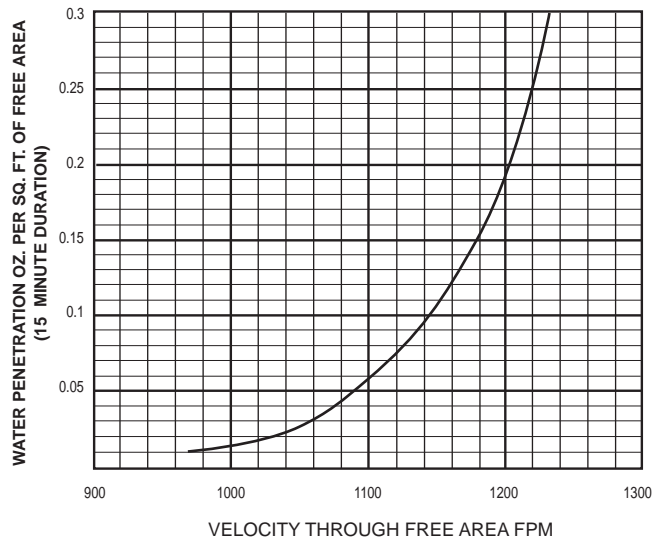
A-XAD-4-45-GL - 02-05



PRESSURE DROP INTAKE

NCA Manufacturing, Inc. certifies that the Model A-XAD-4-45-GL louver shown herein is licensed to bear the AMCA seal. The ratings shown are based on tests and procedures performed in accordance with AMCA Publication 511 and comply with the requirements of the AMCA Certified Ratings program.

The AMCA Certified Seal applies to air performance ratings and water penetration ratings.



Water Penetration

Water Penetration Data applies to test unit size 48" x 48" only. Beginning of Water Penetration is 969 FPM Free Area Velocity.

Performance shown is at standard air density 0.075 lbs./ft³.