



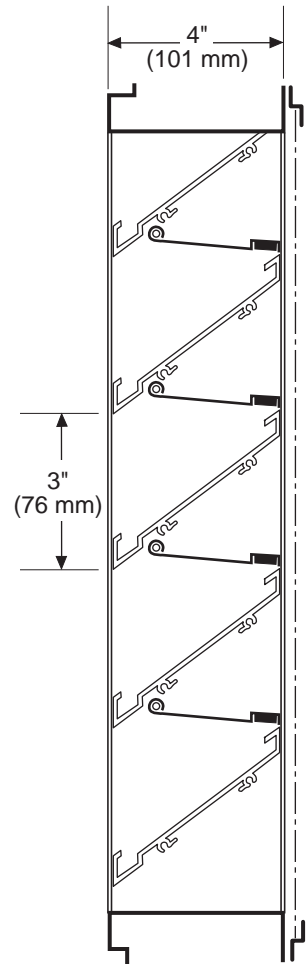
*MODEL CI-XAD-4  
COMBINATION LOUVER INTAKE  
DRAINABLE BLADE*

**Standard Construction:**

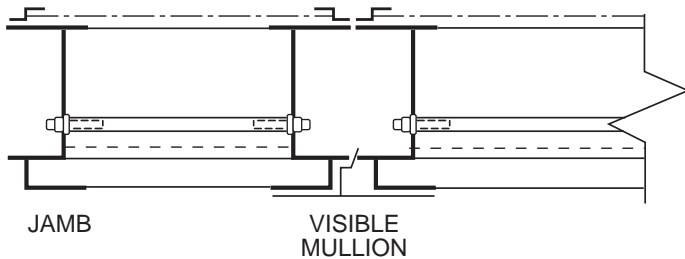
- Frame:** 4" x .081 (101 mm x 2.1 mm) extruded aluminum (6063-T5).
- Stationary Blades:** .081 (2.1 mm) extruded aluminum (6063-T5).  
approximately 3" (76 mm) on centers.
- Blade Angle:** 37.5°
- Backdraft Blade:** .025 (6.4 mm) formed aluminum.
- Axles:** 3/16" (4.8 mm) dia. nylon.
- Blade Seals:** Polyurethane foam.
- Screen:** Bird screen - 3/4" x .050 (19 mm x 12.7 mm) flattened expanded aluminum in a removable frame on interior of louver.
- Finish:** Mill aluminum.
- Size:** Minimum: 12"w x 12"h (25.4 mm x 25.4 mm)  
Maximum: Single Section - 36"w x 72"h (914 mm x 1828 mm)  
Multi section - unlimited.

**Options:**

- Screens:** Insect screen - 18 x 16 mesh aluminum.  
Other: \_\_\_\_\_
- Finish:** Prime Coat.  
Baked Enamel.  
Clear Anodize - 204-R1 & 215-R1.  
Integral Color Anodize  
Kynar 500 Enamel.  
Other: \_\_\_\_\_
- Sill Extensions:**
- Flange:** 1-1/2" (38 mm) (front or rear)

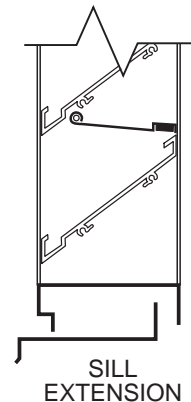


CHANNEL FRAME

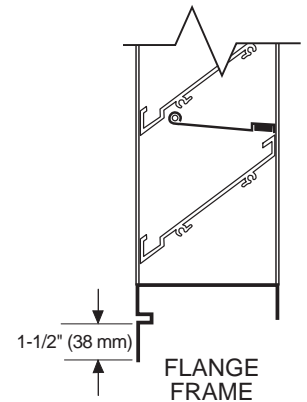


JAMB

VISIBLE MULLION



SILL EXTENSION



FLANGE FRAME

CI-XAD-4 - 02-05

Specifications are correct at time of printing. However, as part of our 'continuous improvement program,' we reserve the right to make further improvements without notice.

© JULY, 2000 NCA Manufacturing

Project:  
Location:  
Architect:  
Engineer:

Contractor:  
Address:  
P.O. Number:  
Date: