



# MODEL SCD-57 STEEL CONTROL DAMPER

## Standard Construction:

**Frame:** Roll-formed galvanized steel hat-section with staked corners with integral bracing.

**Blades:** 16-18 ga. triple-vee profile Roll-formed, galvanized steel Minimum width: 4.250" (108 mm) Maximum width: 7.250" (184.2 mm)

**Bearings:** Nylon. Press-fit into frame.

**Axles:** Square, plated steel.

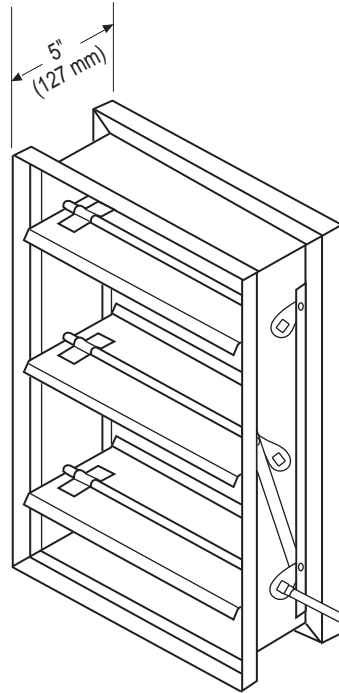
**Linkage:** Concealed in frame. Linkage bars are 12 ga. thick galvanized steel.

**Finish:** Mill galvanized.

**Extended Shaft:** Removable, 6" long x 1/2" dia. (152 mm x 12.7 mm) plated steel coupled to square axle.

**Max. Temperature:** 250°F

**Sizes:** Minimum size: 5"w x 5"h (127 mm x 102 mm) Maximum size: Single section - 48"w x 72"h (1219 mm x 1829 mm) Multiple section - size unlimited



## Features

- The SCD-57 series Control Dampers have been designed and tested to provide a reliable cost effective control damper where tight sealing is not of primary importance. (Note: For tight sealing dampers see Model: SCD-LL-57).
- The SCD-57 damper's rigid frame and integrally braced corners provide true damper alignment that greatly resists being installed out of square or out of flat.
- The SCD-57 is available in either parallel or opposed blade models.
- Dampers less than 12" (304.8 mm) in height are furnished with a low profile flat top and bottom to maximize free areas.
- The SCD-57 series dampers may be made to accommodate higher than the recommended 2.5" w.g. static pressure. If application involves pressures in excess of 2.5" w.g. or velocities greater than 2000 fpm, contact the factory.
- Factory installed electric or pneumatic operators are available.

## Options:

**Bearings:** Bearings: Bronze Oilite. Press fit into frame.

**Seals:** Pressure sensitive blade edge & jamb seals. See Model SCD-LL-57.

**Notes:**

- Dampers fabricated 1/4" (6.4mm) under opening size unless otherwise noted
- All dimensions in ( ) indicate millimeters Specify parallel or opposed blade action.
- All dampers 32" and over are supplied with Jackshatfing. (See Jackshatfing & Enclosure submittal drawing for details).

## Suggested Specification

Control dampers shall be Model: SCD-57 by NCA Manufacturing. Damper frames shall be of the steel, roll-formed hat-section type with integrally braced corners to reduce racking. Damper blades shall be roll-formed 16-18 ga. galavanized steel for rigidity. Bronze oilite or Nylon bearings shall be press-fit into frame to minimize wear. Linkage shall be of the concealed type to maximize free area. Axles shall be square to prevent twisting.

Specifications are correct at time of printing. However, as part of our 'continuous improvement program,' we reserve the right to make further improvements without notice.

© 1999 NCA Manufacturing

SCD-57 - 02-05

Project:

Contractor:

Location:

Address:

Architect:

P.O. Number:

Engineer:

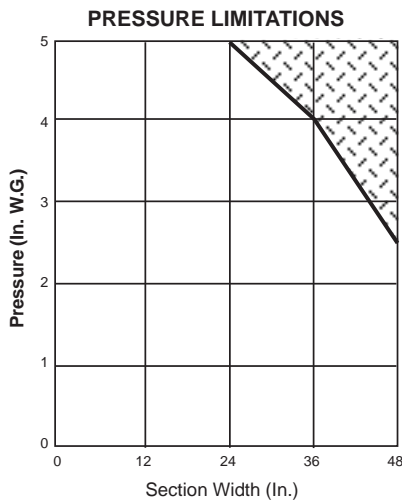
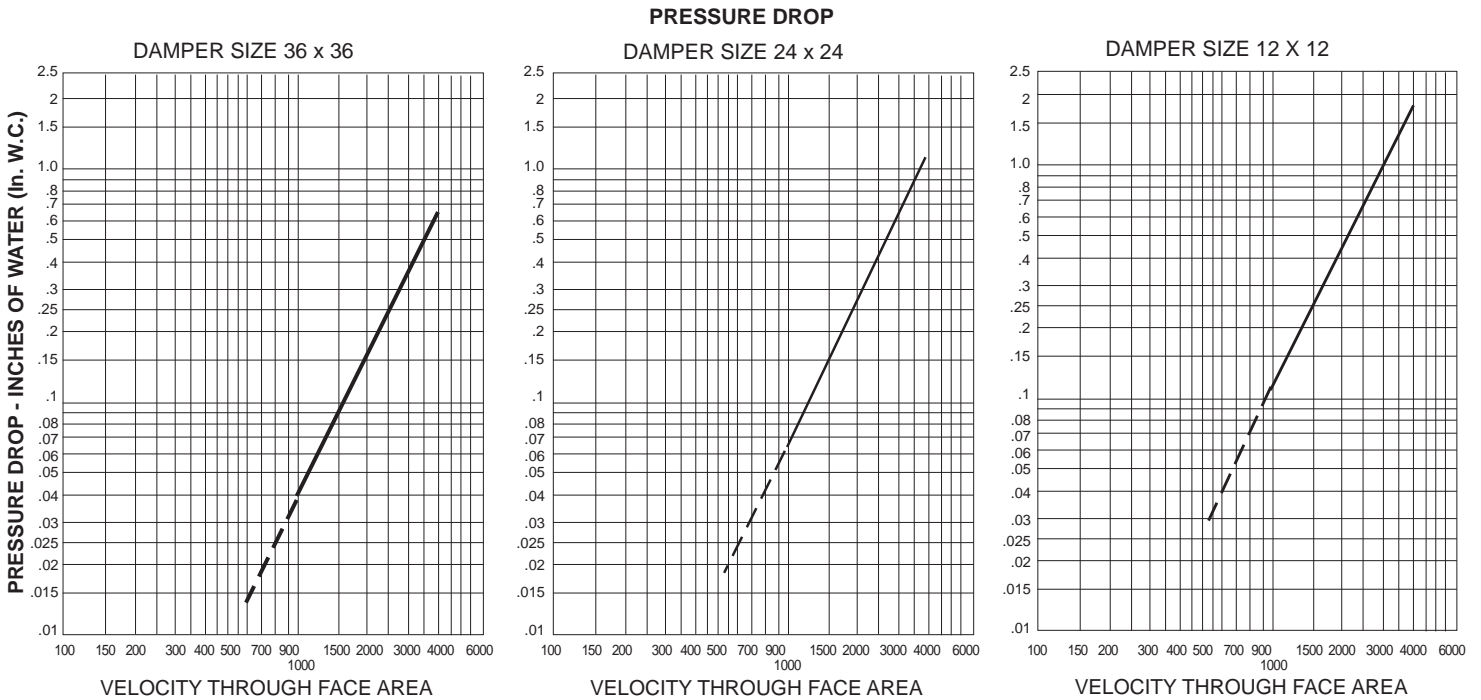
Date:



# MODEL SCD-57 STEEL CONTROL DAMPER

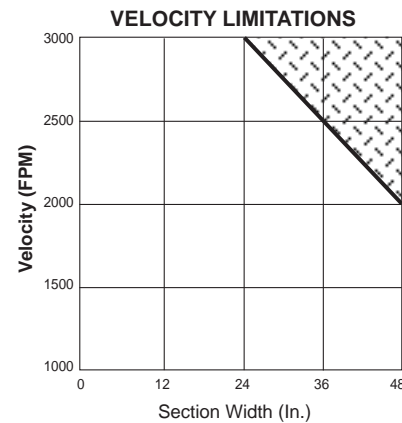
© 1999 NCA Manufacturing

Pressure drop testing was conducted by an independent laboratory in accordance with the AMCA Standard 500-D, Fig. 5.3 ductwork upstream & downstream

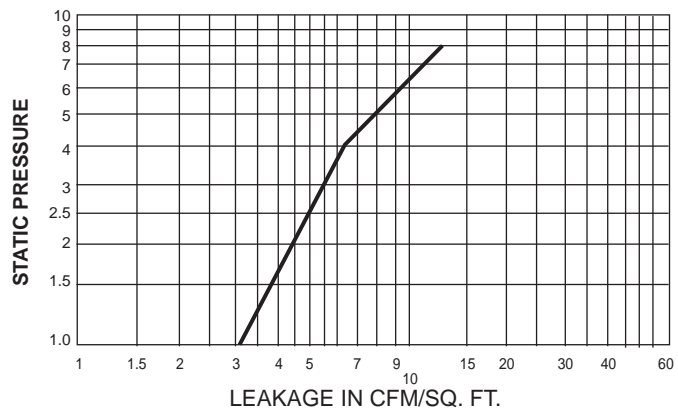


Pressure & Velocity Limitations presented in the adjoining graphs are conservative in order to avoid mis-applications.

Please contact factory for application guidance if your requirements exceed published limitations.



**LEAKAGE**  
DAMPER SIZE 36 x 48



Leakage Performance test was conducted by an independent laboratory in accordance with AMCA Standard 500-D and is expressed as CFM/SQ. FT. of damper face area. Damper requires both blade edge seals and jamb seals to achieve leakage performance depicted.

SCD-57 - 02-05