



CEILING DAMPER SQUARE AND RECTANGULAR

Models:

- CFS:** Square or rectangular, non-asbestos.
- CFSB:** Oversized damper with "B" channel transitions.
- CFSX:** Damper with thermal blanket skirt for non-ducted return air penetrations.



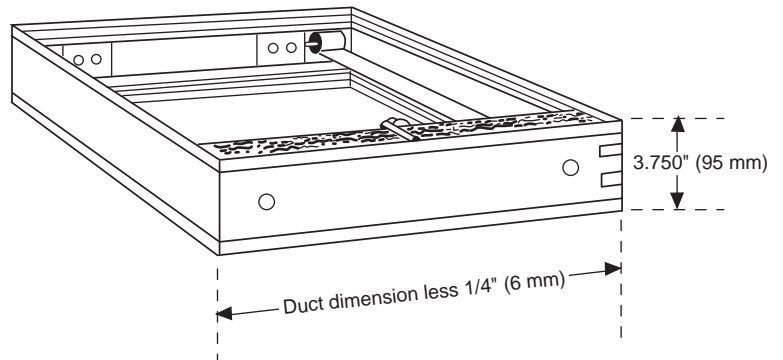
LISTED AND LABELLED BY:



DESIGNED AND TESTED IN ACCORDANCE WITH UL-555 AND ULC-S112. MEETS ALL NFPA-90A REQUIREMENTS FOR FIRE DAMPERS.

Standard Construction:

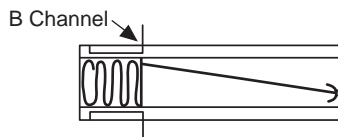
- Frame:** Roll formed, 22 ga. galv. steel.
- Blades:** Roll formed, 22 ga. galv. steel.
- Springs:** Stainless steel negator.
- Blanket:** Non-asbestos, ceramic blanket.
- Fusible Link:** Replaceable 212°F standard. Others available.
- Finish:** Mill galvanized.
- Sizes:** Minimum 4"w x 4"h (101 mm) x (101 mm)
Maximum 24"w x 24"h (609 mm) x (609 mm)
- UL/ULC Listing:** 3-4 hours.



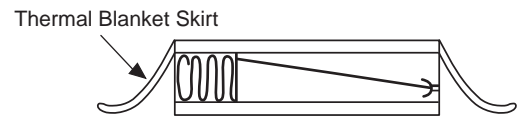
MODELS



CFS



CFSB



CFSX

SUGGESTED SPECIFICATION

Square and rectangular butterfly ceiling dampers shall be Model CFS or CFSB by NCA Manufacturing. Ceiling dampers shall bear the Underwriters' Laboratories' label and be rated for both ducted (CFS and CFSB) or non-ducted (CFSX) air systems. Ceiling dampers shall be of the non-asbestos, curtain type for maximum free area.

Manufacturer's Recommendations

All moving parts of the damper must be inspected and cycled at intervals not greater than every 2 years in accordance with the latest edition of NFPA 90A, 92A, local and national codes. In addition, the fuse link shall be removed and inspected for corrosion. Dry lubricants are recommended.

Specifications are correct at time of printing. However, as part of our 'continuous improvement program,' we reserve the right to make further improvements without notice.

© 1999 NCA Manufacturing

Project:

Contractor:

Location:

Address:

Architect:

P.O. Number:

Engineer:

Date:

CFS-SB-SX - 02-05 (CFS)