



# CEILING DAMPER SQUARE TO ROUND

## Models:

- CFSR-1:** Square or rectangular, non-asbestos damper with one round transition.
- CFSR-2:** Same as above with two round transitions. Supplied for oversize CD-RD units.



LISTED AND LABELLED BY:



DESIGNED AND TESTED IN ACCORDANCE WITH UL-555 AND ULC-S112. MEETS ALL NFPA-90A REQUIREMENTS FOR FIRE DAMPERS.

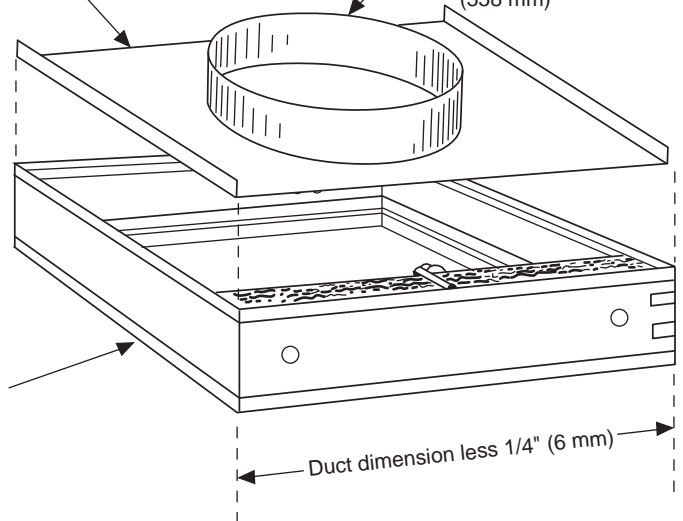
## Standard Construction:

- Frame:** Roll formed, 22 ga. galv. steel.
- Blades:** Roll formed, 22 ga. galv. steel.
- Springs:** Stainless steel negator.
- Blanket:** Non-asbestos, ceramic blanket.
- Fusible Link:** Replaceable 212°F standard. Others available.
- Finish:** Mill galvanized.
- Sizes:** Minimum 4"w x 4"h (101 mm) x (101 mm)  
Maximum 24"w x 24"h (609 mm) x (609 mm)
- UL/ULC Listing:** 4 hours.

Square to Round Transition riveted to Ceiling Damper

Diameters:  
Minimum 5" (127 mm)  
Maximum 22" (558 mm)

Model CFS Ceiling Damper



## SUGGESTED SPECIFICATION

Square to round ceiling dampers shall be Model CFSR-1 or CFSR-2 by NCA Manufacturing. Ceiling dampers shall bear the Underwriters' Laboratories' label and be rated for both steel duct and flex duct installations. Ceiling dampers shall be of the non-asbestos, curtain-type for maximum free area.

### Manufacturer's Recommendations

All moving parts of the damper must be inspected and cycled at intervals not greater than every 2 years in accordance with the latest edition of NFPA 90A, 92A, local and national codes. In addition, the fuse link shall be removed and inspected for corrosion. Dry lubricants are recommended.

Specifications are correct at time of printing. However, as part of our 'continuous improvement program,' we reserve the right to make further improvements without notice.

© 1999 NCA Manufacturing

Project:

Contractor:

Location:

Address:

Architect:

P.O. Number:

Engineer:

Date:

CFSR-1-2 - 02-05 (CFSR)