



**MODEL FDD-C**  
**DYNAMIC CURTAIN TYPE FIRE DAMPERS**  
**DYNAMIC CLOSURE MODELS — 1 1/2 & 3 HOUR**

**Standard Construction:**

**Frame:** Roll Formed Galvanized Steel with Safety Edge.

**Blades:** Roll Formed Galvanized Steel, Curtain-Type

**Springs:** Stainless Steel.

**Fusible Link:** U.L. Listed 165°F.

**1-1/2 & 3 Hr. Vertical:**

**Min. Size:** 5" w X 3" h  
(127mm x 76mm)

**Max. Size:** 35" w X 31" h  
(889mm x 787mm)

**1-1/2 & 3 Hr. Horizontal:**

**Min. Size:** 5" w X 3" h  
(127mm x 76mm)

**Max. Single Sect.:** 17" w X 15" h  
(432mm X 381mm)

**Max. Size:** 35" w X 32" h  
(889mm x 813mm)

**Optional Construction:**

Factory Supplied Sleeve  
 18 - 16 - 14 - 10 Gauge  
 Sleeve Length (Required)

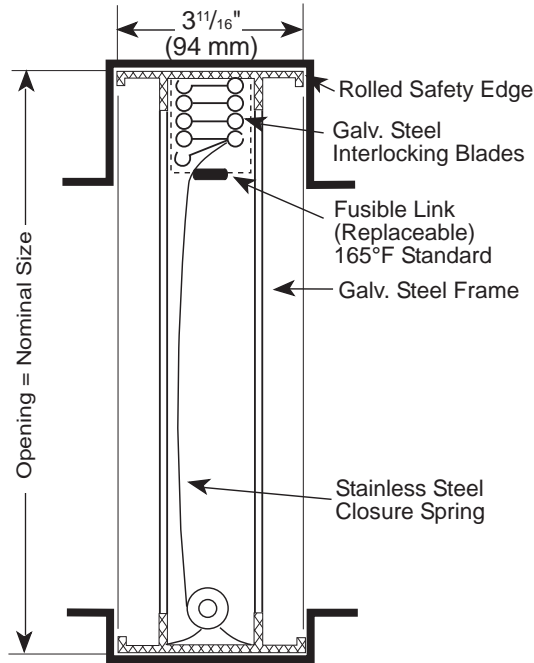
3 Hour Rating

- FDD-(V/H)C SQ/RECTANGLE OPENING
- FDD-(V/H)C-HP SQ/RECTANGLE OPENING - HIGH PRESSURE
- FDD-(V/H)C-M/H SQ/RECTANGLE OPENING - MEDIUM/HIGH PRESSURE
- FDD-R(V/H)C ROUND OPENING
- FDD-R(V/H)C-LP ROUND OPENING - LOW PRESSURE
- FDD-R(V/H)C-HP ROUND OPENING - HIGH PRESSURE
- FDD-R(V/H)C-M/H ROUND OPENING - MEDIUM/HIGH PRESSURE
- FDD-(V/H)C-O OVAL OPENING
- FDD-(V/H)C-O-HP OVAL OPENING - HIGH PRESSURE
- FDD-(V/H)C-O-M/H OVAL OPENING - MEDIUM/HIGH PRESSURE

**Manufacturer's Recommendations**

All moving parts of the damper must be inspected and cycled at intervals not greater than every six months and in accordance with the latest edition of NFPA 90A, 92A, local codes and the actuator manufacturer. In addition, fuse links shall be removed and inspected for corrosion. Dry lubricants are recommended.

**VERTICAL DAMPER**



DESIGNED AND TESTED IN ACCORDANCE WITH UL-555 AND ULC-S112. MEETS ALL NFPA-90A REQUIREMENTS FOR FIRE DAMPERS.

**LISTED AND LABELLED BY:**

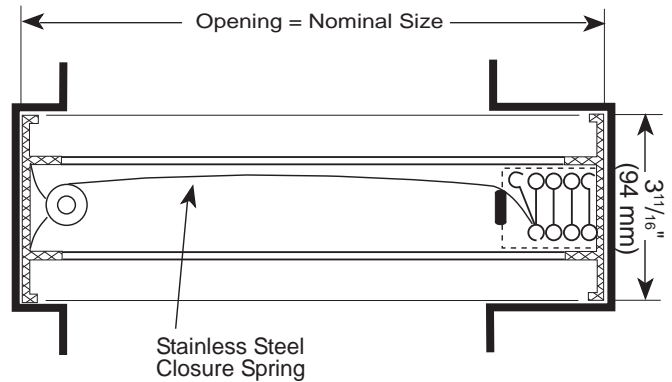


**Note:**

Dampers are furnished approximately 1/4" (6.4mm) smaller than given duct dimensions.

"These Dampers are UL/ULC Approved For Use in Dynamic and Static Systems."

**HORIZONTAL DAMPER**



FDD-C - 02-05

© 2003 NCA Manufacturing

Project:  
 Location:  
 Architect:  
 Engineer:

Contractor:  
 Address:  
 P.O. Number:  
 Date:

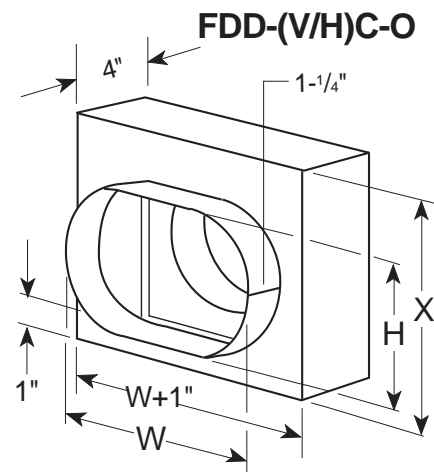
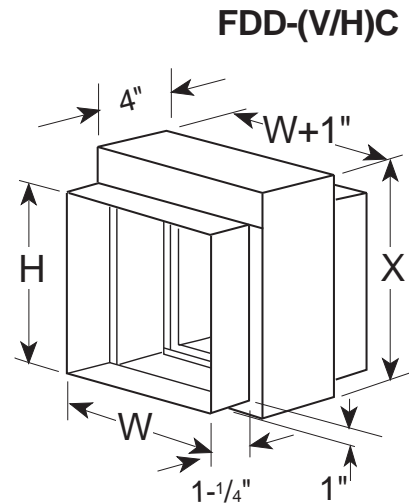
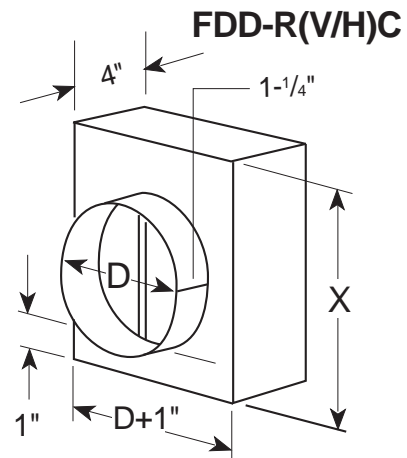


*MODEL FDD-C  
DYNAMIC CURTAIN TYPE FIRE DAMPERS  
DYNAMIC CLOSURE MODELS — 1 1/2 & 3 HOUR*

**SIZE CHART**

Duct Height	Type C-R, C-S/R & C-OV Damper Height
Inches	Inches
3	6
4	7
5	8
6	9
7	10
8	11
9	12
10	13
11	14
12	15
13	16
14	17
15	18
16	19
17	20
18	21
19	22
20	23
21	25
22	26
23	27
24	28
25	29
26	30
27	31
28	32
29	33
30	34
31	35
32	36

X = DAMPER HEIGHT



W = Width (Duct)  
H = Height (Duct)  
X = Variable (See Size Chart)