



*MODEL SLD-6-45-GL
FORMED STATIONARY LOUVER
DRAINABLE BLADE. AMCA LICENSED.*



Standard Construction:

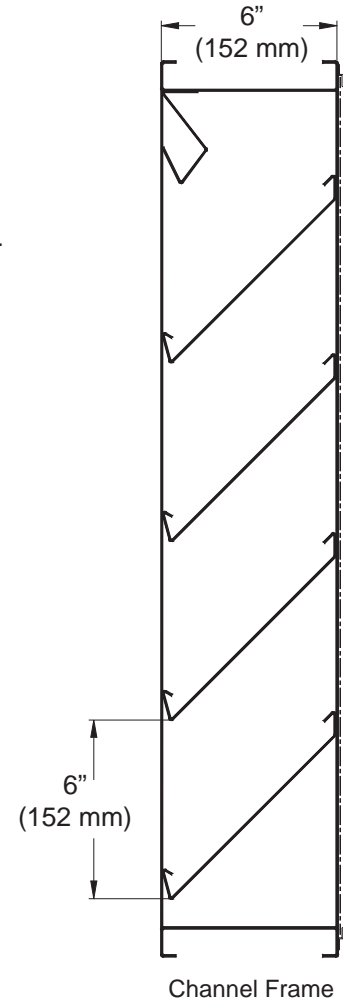
- Frame:** 6" (152 mm) x 20 ga. galvanized steel.
- Blades:** 20 ga. galvanized steel, approximately 6" (152 mm) on centers.
- Blade Angle:** 45°
- Screen:** Bird screen - 1/2" x 1/2" (12.7 mm x 12.7 mm) x 19 ga. galvanized steel, in a removable frame on interior of louver.
- Finish:** Mill galvanized.
- Minimum Size:** 8"w x 12"h (203 mm x 305 mm)
- Maximum Size:** 96"w x 96"h (2438 mm x 2438 mm)

Options:

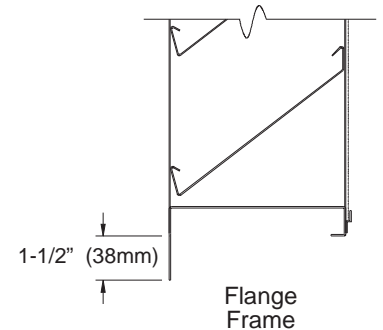
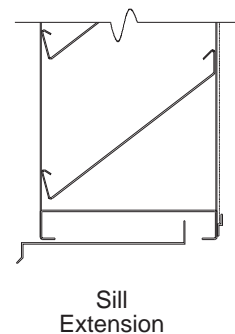
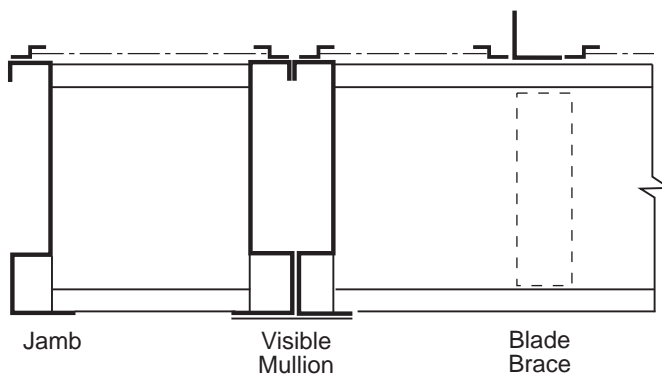
- Screens:** Insect screen - 18 x 16 mesh aluminum.
Other: _____
- Finish:** Prime Coat
Baked enamel
Powder Coat
Kynar 500 Enamel
Other: _____

Sill Extensions:

- Flange:** 1-1/2" (38 mm) (front or rear)
- Material:** Various materials and gauges
- Notes:** Louvers fabricated 1/4" (6.4 mm) under opening size unless otherwise noted.



SLD-6-45-GL - 03-05



Specifications are correct at time of printing. However, as part of our 'continuous improvement program,' we reserve the right to make further improvements without notice.
© JULY, 2000 NCA Manufacturing

Project:	Contractor:
Location:	Address:
Architect:	P.O. Number:
Engineer:	Date:



*MODEL SLD-6-45-GL
FORMED STATIONARY LOUVER
DRAINABLE BLADE. AMCA LICENSED.*

© JULY, 2000 NCA Manufacturing

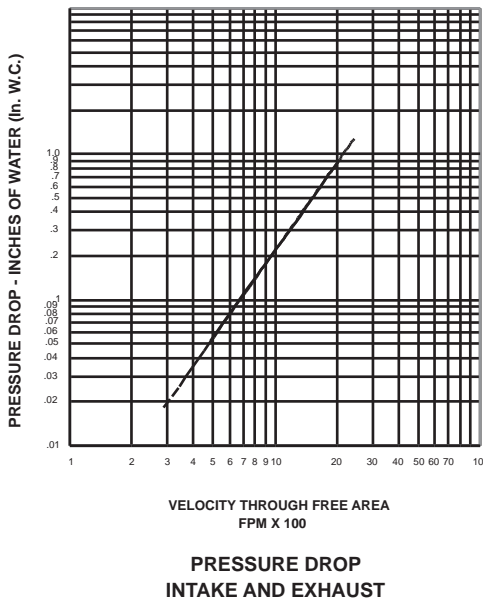
Specifications

Furnish and install where shown model **SLD-6-45-GL** louver, manufactured by **NCA Manufacturing**. Louvers shall be the stationary **drainable blade** type with a frame depth of **6 inches**. Frames and blades shall be 20 gauge galvanized steel. Blades shall be located on a **45 degree** blade angle. Screens shall consist of 1/2" mesh, 19 ga, galvanized, with an extruded frame, mounted to the louver interior, and be removable for cleaning. Louvers shall be finished with Polyurethane Acrylic enamel, Kynar 500, or other finishes selected by the architect from NCA standard color charts.

SLD-6-45-GL FREE AREA IN SQ. FT.

Height - Inches	Width - Inches															
	8	12	18	24	30	36	42	48	54	60	66	72	78	84	90	96
12	0.15	0.25	0.41	0.56	0.71	0.87	1.02	1.17	1.33	1.48	1.63	1.78	1.94	2.09	2.24	2.40
18	0.31	0.52	0.83	1.14	1.44	1.75	2.06	2.37	2.68	2.99	3.30	3.61	3.92	4.23	4.54	4.85
24	0.47	0.78	1.24	1.71	2.18	2.64	3.11	3.58	4.04	4.51	4.97	5.44	5.91	6.37	6.84	7.31
30	0.62	1.04	1.66	2.28	2.91	3.53	4.15	4.78	5.40	6.02	6.65	7.27	7.89	8.51	9.14	9.76
36	0.78	1.30	2.08	2.86	3.64	4.42	5.20	5.98	6.76	7.54	8.32	9.10	9.88	10.66	11.44	12.22
42	0.94	1.56	2.50	3.43	4.37	5.31	6.24	7.18	8.12	9.05	9.99	10.93	11.86	12.80	13.73	14.67
48	1.09	1.82	2.92	4.01	5.10	6.19	7.29	8.38	9.47	10.57	11.66	12.75	13.85	14.94	16.03	17.13
54	1.25	2.08	3.33	4.58	5.83	7.08	8.33	9.58	10.83	12.08	13.33	14.58	15.83	17.08	18.33	19.58
60	1.40	2.34	3.74	5.15	6.55	7.96	9.36	10.77	12.17	13.57	14.98	16.38	17.79	19.19	20.60	22.00
66	1.56	2.60	4.16	5.72	7.28	8.85	10.41	11.97	13.53	15.09	16.65	18.21	19.77	21.33	22.89	24.46
72	1.72	2.86	4.58	6.30	8.02	9.73	11.45	13.17	14.89	16.60	18.32	20.04	21.76	23.47	25.19	26.91
78	1.87	3.12	5.00	6.87	8.75	10.62	12.50	14.37	16.24	18.12	19.99	21.87	23.74	25.62	27.49	29.37
84	2.03	3.39	5.42	7.45	9.48	11.51	13.54	15.57	17.60	19.63	21.66	23.70	25.73	27.76	29.79	31.82
90	2.19	3.65	5.83	8.02	10.21	12.40	14.59	16.77	18.96	21.15	23.34	25.52	27.71	29.90	32.09	34.28
96	2.34	3.91	6.25	8.60	10.94	13.29	15.63	17.97	20.32	22.66	25.01	27.35	29.70	32.04	34.39	36.73

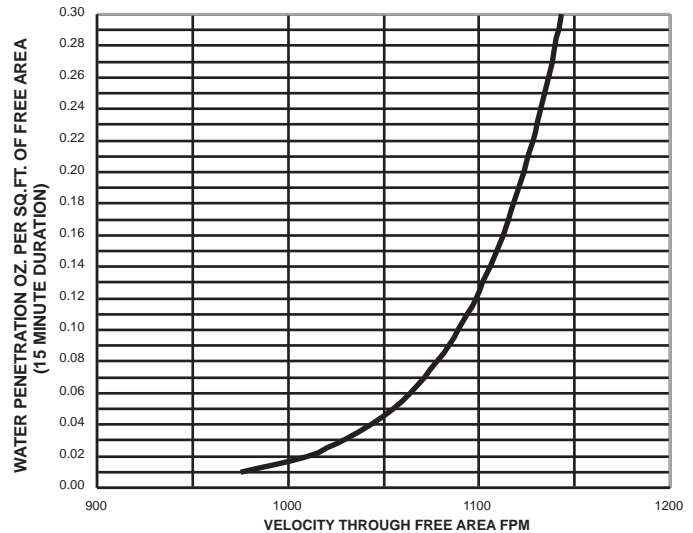
SLD-6-45-GL - 03-05



Pressure Drop Data applies to test unit size 48" x 48".

NCA Manufacturing, Inc. certifies that the Model SLD-6-45-GL louver shown herein is licensed to bear the AMCA seal. The ratings shown are based on tests and procedures performed in accordance with AMCA Publication 511 and comply with the requirements of the AMCA Certified Ratings program.

The AMCA Certified Ratings Seal applies to air performance ratings and water penetration ratings only.



Water Penetration

Water Penetration Data applies to test unit size 48" x 48" only. Beginning of Water Penetration is 980 FPM.

Performance shown is at standard air density 0.075 lbs./ft³.

MARCH, 2005