



*MODEL CK-2000-1  
MODEL CK-2000-1-B  
THERMAL BLANKETS*

|                |                   |          |
|----------------|-------------------|----------|
| <b>Models:</b> | <b>THICKNESS:</b> |          |
| CK-2000-1      | 1/8"              | (3.2 mm) |
| CK-2000-1-B    | 1-1/4"            | (32 mm)  |



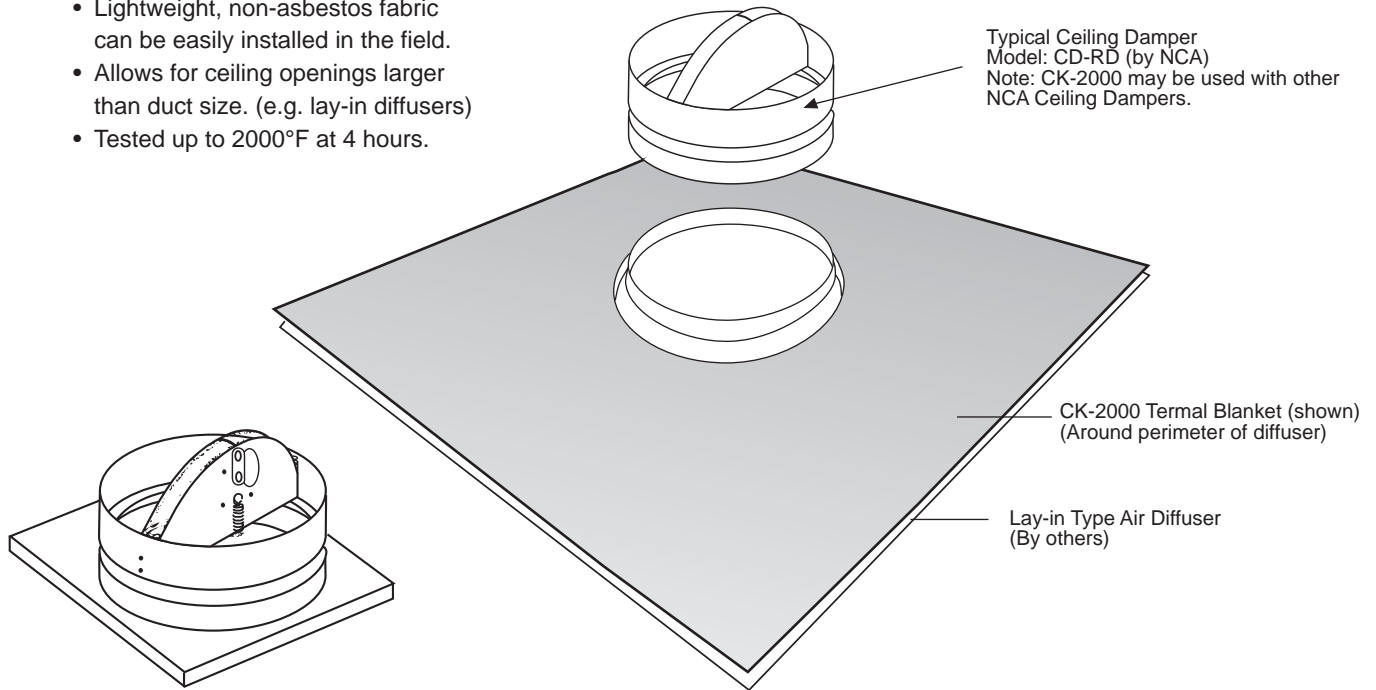
LISTED AND LABELLED BY:



**Features:**

- Listed and labelled by UL/ULC for openings up to 576 sq. in., (14,630 sq. mm) rated 4 hrs. or less.
- Lightweight, non-asbestos fabric can be easily installed in the field.
- Allows for ceiling openings larger than duct size. (e.g. lay-in diffusers)
- Tested up to 2000°F at 4 hours.

DESIGNED AND TESTED IN ACCORDANCE WITH UL-555 AND ULC-S112. MEETS ALL NFPA-90A REQUIREMENTS FOR FIRE DAMPERS.



\*Model CD-RD-T for square or rectangular necks.

CK-2000-1-B - 02-05 - (CK-2000)

**SUGGESTED SPECIFICATION**

Thermal blanket diffuser protection shall be Model CK-2000-1 by NCA Manufacturing. Thermal blanket shall bear the Underwriters' Laboratories label and be rated for the back of diffusers when used in conjunction with square, rectangular, round or square-to-round ceiling dampers as manufactured by NCA Manufacturing.

**Manufacturer's Recommendations**

All moving parts of the damper must be inspected and cycled at intervals not greater than every 2 years in accordance with the latest edition of NFPA 90A, 92A, local and national codes. In addition, the fuse link shall be removed and inspected for corrosion. Dry lubricants are recommended.

Specifications are correct at time of printing. However, as part of our 'continuous improvement program,' we reserve the right to make further improvements without notice.

© 1999 NCA Manufacturing

|            |              |
|------------|--------------|
| Project:   | Contractor:  |
| Location:  | Address:     |
| Architect: | P.O. Number: |
| Engineer:  | Date:        |