



*MODEL XAD-2-45-GL
EXTRUDED STATIONARY LOUVER
DRAINABLE BLADE. AMCA LICENSED.*



Standard Construction:

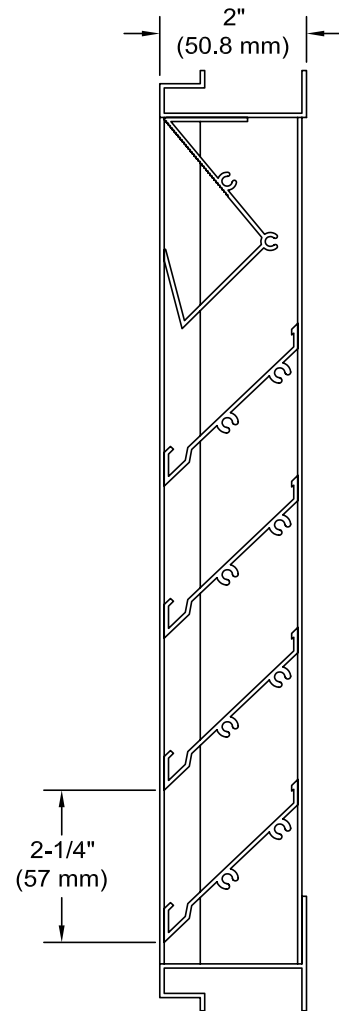
- Frame:** 2" x .063 (50.8 mm x 1.6 mm) extruded aluminum (6063-T5).
- Blades:** .063 (1.6 mm) extruded aluminum (6063-T5), approximately 2-1/4" (57 mm) on centers.
- Blade Angle:** 45°
- Screen:** Bird screen - 3/4" x .050 (19 mm x 12.7 mm) flattened expanded aluminum in a removable frame on interior of louver.
- Finish:** Mill aluminum.
- Minimum Size:** 8"w x 12"h (203 mm x 305 mm)

Options:

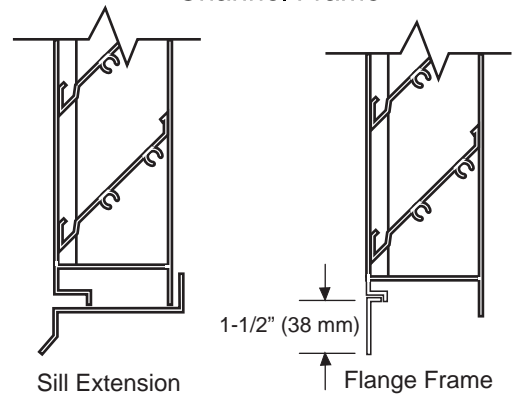
- Screens:** Insect screen - 18 x 16 mesh aluminum
1/2" x .063 (12.7 mm x 1.6 mm) aluminum
Other - _____
- Finish:** Prime Coat
Baked Enamel
Clear Anodize - 204-R1 and 215-R1
Integral Color Anodize
Kynar 500 Enamel
Other - _____

Sill Extensions:

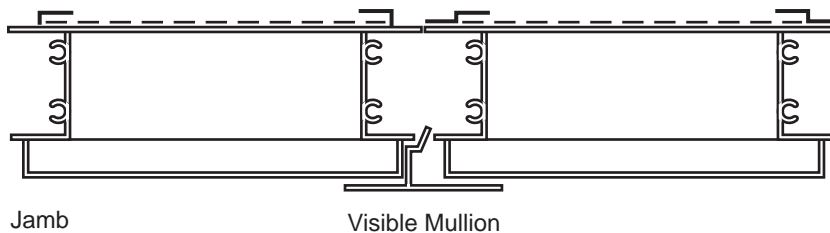
- Flange:** 1-1/2" (38 mm) (front or rear)
- Notes:** Louvers fabricated 1/4" (6.4 mm) under opening size unless otherwise noted.



Channel Frame



XAD-2-45-GL - 07-07



Jamb

Visible Mullion

Specifications are correct at time of printing. However, as part of our 'continuous improvement program,' we reserve the right to make further improvements without notice.

© 2007 NCA Manufacturing

Project: _____ Contractor: _____
 Location: _____ Address: _____
 Architect: _____ P.O. Number: _____
 Engineer: _____ Date: _____



MODEL XAD-2-45-GL
EXTRUDED STATIONARY LOUVER
DRAINABLE BLADE. AMCA LICENSED.

PERFORMANCE DATA

© 2007 NCA Manufacturing

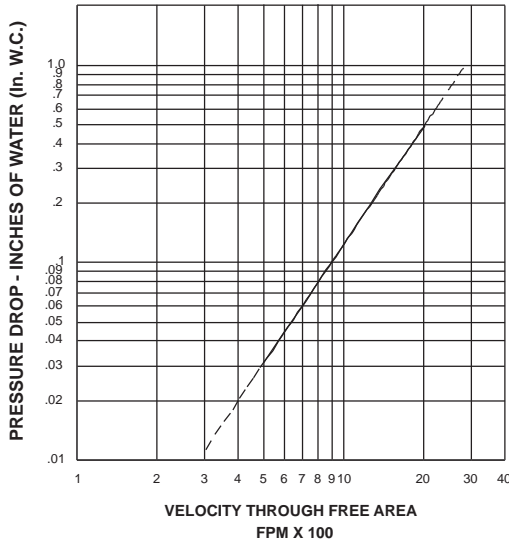
Specifications

Furnish and install where shown model XAD-2-45-GL louver, manufactured by NCA Manufacturing. Louvers shall be the stationary drainable type with a frame depth of 2 inches. Frames and blades shall be .063 inches thick 6063-T5 extruded aluminum alloy. Blades shall be located on a 45 degree blade angle. Screens shall consist of 3/4" expanded aluminum, with an extruded frame, mounted to the louver interior, and be removable for cleaning. Louvers shall be finished with Polyurethane Acrylic enamel, Kynar 500, Anodize or other finishes selected by the architect from NCA standard color charts.

XAD-2-45-GL FREE AREA IN SQ. FT.

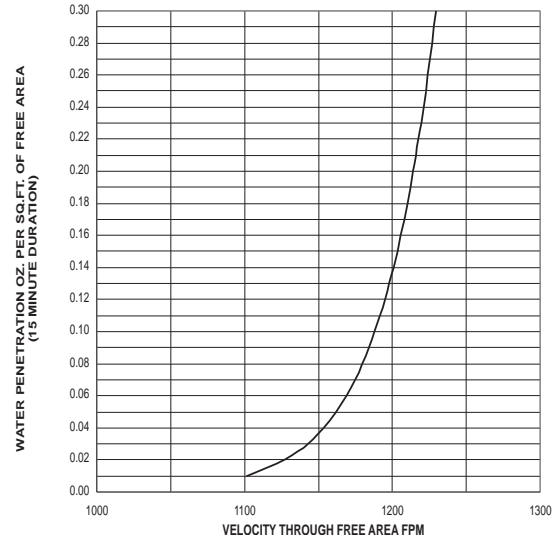
Height - Inches	Width - Inches															
	8	12	18	24	30	36	42	48	54	60	66	72	78	84	90	96
12	0.17	0.28	0.45	0.61	0.78	0.95	1.12	1.28	1.45	1.62	1.79	1.95	2.12	2.29	2.46	2.62
18	0.28	0.47	0.75	1.03	1.31	1.59	1.87	2.15	2.43	2.71	2.99	3.27	3.55	3.83	4.11	4.39
24	0.42	0.70	1.12	1.54	1.96	2.38	2.80	3.22	3.63	4.05	4.47	4.89	5.31	5.73	6.15	6.57
30	0.54	0.90	1.45	1.99	2.53	3.07	3.62	4.16	4.70	5.24	5.79	6.33	6.87	7.41	7.96	8.50
36	0.66	1.09	1.75	2.40	3.06	3.71	4.37	5.02	5.68	6.33	6.99	7.64	8.30	8.95	9.61	10.26
42	0.79	1.32	2.11	2.91	3.70	4.49	5.28	6.07	6.87	7.66	8.45	9.24	10.04	10.83	11.62	12.41
48	0.90	1.50	2.40	3.30	4.20	5.10	6.00	6.90	7.80	8.70	9.59	10.49	11.39	12.29	13.19	14.09
54	1.03	1.72	2.75	3.78	4.81	5.84	6.87	7.90	8.93	9.96	10.99	12.02	13.05	14.08	15.11	16.14
60	1.17	1.95	3.12	4.29	5.46	6.64	7.81	8.98	10.15	11.32	12.49	13.66	14.83	16.00	17.18	18.35
66	1.29	2.15	3.45	4.74	6.03	7.32	8.62	9.91	11.20	12.49	13.79	15.08	16.37	17.66	18.96	20.25
72	1.41	2.34	3.75	5.15	6.56	7.96	9.37	10.77	12.18	13.58	14.99	16.39	17.80	19.20	20.61	22.01
78	1.55	2.58	4.12	5.67	7.21	8.76	10.30	11.85	13.40	14.94	16.49	18.03	19.58	21.12	22.67	24.21
84	1.67	2.78	4.45	6.11	7.78	9.45	11.12	12.78	14.45	16.12	17.79	19.45	21.12	22.79	24.46	26.12
90	1.78	2.97	4.75	6.53	8.31	10.09	11.87	13.65	15.43	17.21	18.99	20.77	22.55	24.33	26.11	27.89
96	1.92	3.20	5.12	7.04	8.96	10.88	12.80	14.72	16.65	18.57	20.49	22.41	24.33	26.25	28.17	30.09

XAD-2-45-GL - 07-07



NCA Manufacturing, Inc. certifies that the Model XAD-2-45-GL louver shown herein is licensed to bear the AMCA seal. The ratings shown are based on tests and procedures performed in accordance with AMCA Publication 511 and comply with the requirements of the AMCA Certified Ratings program.

The AMCA Certified Seal applies to air performance ratings and water penetration ratings.



Water Penetration Data applies to test unit size 48" x 48" only. Beginning of Water Penetration is 1100 FPM Free Area Velocity.

Performance shown is at standard air density 0.075 lbs./ft.³.



Pressure Drop Data applies to test unit size 48" x 48" only.

Performance Data does not include the effects of birdscreen.

July 2007