



*MODEL XAD-4-45
EXTRUDED ALUMINUM LOUVER
DRAINABLE BLADE. AMCA LICENSED.*



Standard Construction:

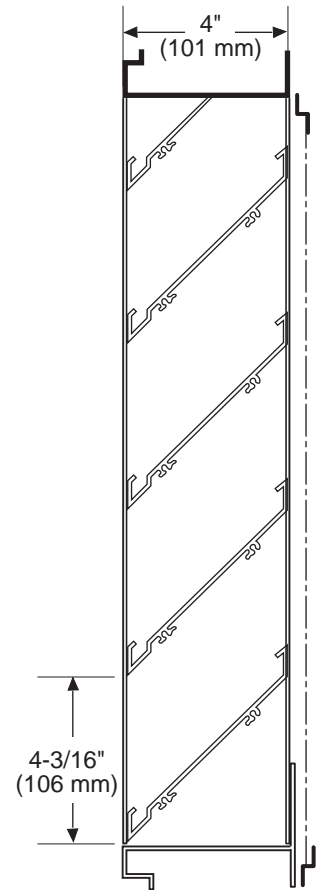
- Frame:** 4" x .081 (101 mm x 2.1 mm) extruded aluminum (6063-T5).
- Blades:** .081 (2.1 mm) extruded aluminum (6063-T5), approximately 4-3/16" (106 mm) on centers.
- Blade Angle:** 45°
- Screen:** Bird screen - 3/4" x .050 (19 mm x 1.27 mm) flattened expanded aluminum in a removable frame on interior of louver.
- Finish:** Mill aluminum.
- Minimum Size:** 12"w x 12"h (304 mm x 304 mm)

Options:

- Screens:** Insect screen - 18 x 16 mesh aluminum
1/2" x .063 (12.7 mm x 1.6 mm) aluminum.
Other - _____
- Finish:** Prime Coat
Baked Enamel
Kynar
Clear Anodize - 204-R1 and 215-R1
Integral Color Anodize
Other - _____

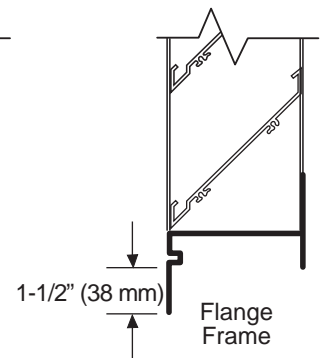
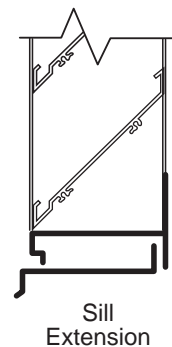
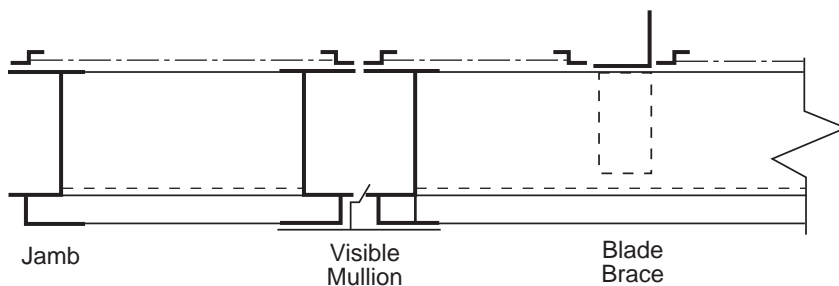
Sill Extensions:

- Flange:** 1-1/2" (38 mm) (front or rear)
- Notes:** Louvers fabricated 1/4" (6.4 mm) under opening size unless otherwise noted.



Channel Frame

XAD-4-45 - 12-07



Specifications are correct at time of printing. However, as part of our 'continuous improvement program,' we reserve the right to make further improvements without notice.

© DECEMBER, 2007 NCA Manufacturing

Project: _____ Contractor: _____
 Location: _____ Address: _____
 Architect: _____ P.O. Number: _____
 Engineer: _____ Date: _____



*MODEL XAD-4-45
EXTRUDED ALUMINUM LOUVER
DRAINABLE BLADE. AMCA LICENSED.*

PERFORMANCE DATA

Specifications

Furnish and install where shown model **XAD-4-45** louver, manufactured by **NCA Manufacturing**. Louvers shall be the stationary **drainable** type with a frame depth of **4 inches**. Frames and blades shall be .081 inches thick 6063-T5 extruded aluminum alloy. Blades shall be located on a **45 degree** blade angle. Screens shall consist of 3/4" expanded aluminum, with an aluminum frame, mounted to the louver interior, and be removable for cleaning. Louvers shall be finished with Polyurethane Acrylic enamel, Kynar 500, Anodize or other finishes selected by the architect from NCA standard color charts. Louver shall pass **898 fpm** with **.13 in. wg.** pressure drop and shall carry less than **.015** ounces of water per square foot of free area during a 15 minute period based on tests and procedures performed in accordance with AMCA publication 511.

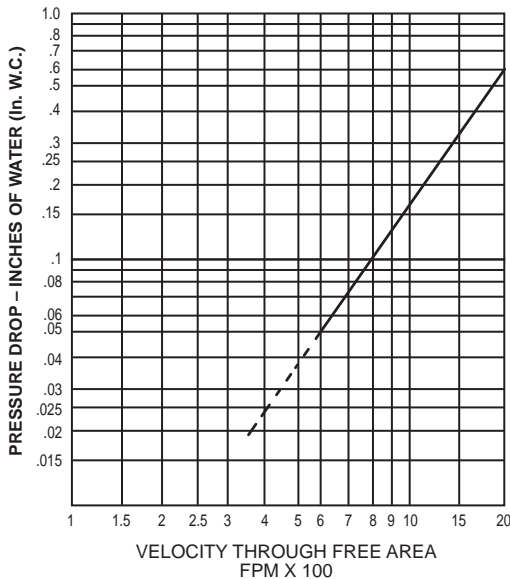
XAD-4-45 FREE AREA IN SQ. FT.

Width - Inches

	8	12	18	24	30	36	42	48	54	60	66	72	78	84	90	96
12	0.16	0.27	0.44	0.61	0.77	0.94	1.10	1.27	1.44	1.60	1.77	1.94	2.10	2.27	2.43	2.60
18	0.28	0.48	0.77	1.05	1.34	1.63	1.92	2.21	2.50	2.79	3.08	3.37	3.66	3.95	4.24	4.52
24	0.45	0.76	1.23	1.69	2.15	2.62	3.08	3.55	4.01	4.47	4.94	5.40	5.86	6.33	6.79	7.26
30	0.58	0.98	1.57	2.16	2.76	3.35	3.95	4.54	5.13	5.73	6.32	6.91	7.51	8.10	8.70	9.29
36	0.64	1.08	1.73	2.39	3.04	3.70	4.35	5.00	5.66	6.31	6.97	7.62	8.28	8.93	9.59	10.24
42	0.92	1.55	2.50	3.44	4.39	5.33	6.27	7.22	8.16	9.11	10.05	11.00	11.94	12.88	13.83	14.77
48	1.04	1.75	2.81	3.87	4.93	5.99	7.05	8.11	9.18	10.24	11.30	12.36	13.42	14.48	15.54	16.60
54	1.22	2.04	3.29	4.53	5.77	7.01	8.25	9.50	10.74	11.98	13.22	14.47	15.71	16.95	18.19	19.43
60	1.34	2.25	3.61	4.97	6.34	7.70	9.07	10.43	11.79	13.16	14.52	15.89	17.25	18.62	19.98	21.34
66	1.51	2.53	4.07	5.61	7.15	8.69	10.23	11.77	13.31	14.85	16.39	17.93	19.47	21.01	22.55	24.09
72	1.63	2.75	4.41	6.08	7.75	9.42	11.09	12.76	14.42	16.09	17.76	19.43	21.10	22.77	24.43	26.10
78	1.80	3.02	4.86	6.70	8.54	10.37	12.21	14.05	15.89	17.72	19.56	21.40	23.24	25.07	26.91	28.75
84	1.98	3.32	5.34	7.36	9.38	11.40	13.42	15.44	17.46	19.48	21.50	23.52	25.54	27.56	29.58	31.60
90	2.09	3.52	5.66	7.80	9.94	12.08	14.21	16.35	18.49	20.63	22.77	24.91	27.05	29.19	31.32	33.46
96	2.27	3.81	6.13	8.45	10.77	13.09	15.40	17.72	20.04	22.36	24.68	26.99	29.31	31.63	33.95	36.27

Height - Inches

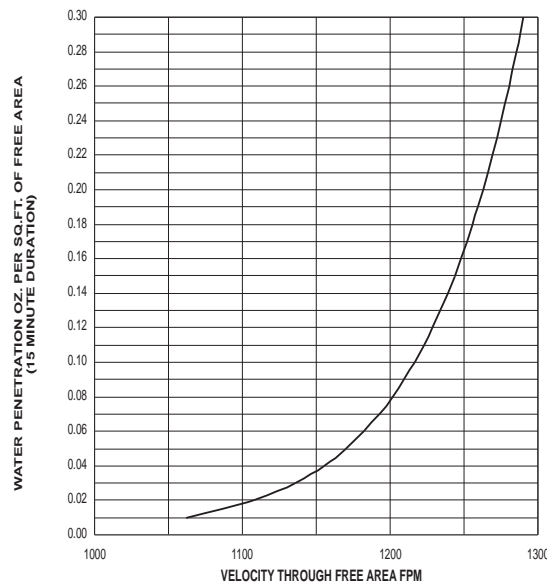
XAD-4-45 - 12-07



**PRESSURE DROP
INTAKE**

NCA Manufacturing, Inc. certifies that the Model XAD-4-45 louver shown herein is licensed to bear the AMCA seal. The ratings shown are based on tests and procedures performed in accordance with AMCA Publication 511 and comply with the requirements of the AMCA Certified Ratings program.

The AMCA Certified Seal applies to air performance ratings and water penetration ratings.



Water Penetration

Water Penetration Data applies to test unit size 48" x 48" only. Beginning of Water Penetration is 1062 FPM Free Area Velocity.

Performance shown is at standard air density 0.075 lbs./ft³.

© DECEMBER, 2007 NCA Manufacturing